

承认书

SPECIFICATION FOR APPROVAL

Switching power Supply/开关电源

客 户:

CUSTOMER: 赵毅 (恩企)

产品描述:

DESCRIPTION: Input:100~240V AC 50/60Hz Output: 12VDC3A

机种型号:

OUR MODEL NO: HX08-1203 (301)

样品编号:

日期:

SAMPLE NO: CP002-136

DATE: 2012-10-4

产品颜色:

SAMPLE COLOR:Black

White

APPROVAL SIGNATURE/客户确认		
核准/APPROVED BY	审核/CHECKED BY	检测/TESTED BY

Manufacturer/制造商		
业务/SALES	核准/APPROVED BY	设计/DESIGNED BY

湘潭市华鑫电子科技有限公司

Xiangtan City Huaxin Electronic Technology Co., Ltd.

地址: 中国湖南省湘潭市雨湖区高岭路 2 号

ADD: No.2,Gaoling Raod, Yuhu District, Xiang tan City, Hu nan, CHINA.



型号/Ourmodel: HX08-1203 (301)

客户/Customer: 赵毅 (恩企)

日期/Date: 2012-10-4

样品编号/SAMPLE No: CP002-136

版本目录/Rev. List

版本/Rev.	日期/Date	描述/ Description	制订/Design
A0	2012-10-4	新版本/New Rev.	李润

Table of contents

1、描述/ DESCRIPTION..... 3

2、输入特性/INPUT CHARACTERISTICS..... 3

3、输出特性/OUTPUT CHARACTERISTICS..... 4-5

4、保护功能/PROTECTION FUNCTION..... 5

5、环境要求/ENVIRONMENTAL REQUIREMET.....5-6

6、安全及 EMI 要求/SAFETY AND EMC REQUIREMENT..... 6

7、结构参数/MECHANICAL REQUIREMENT..... 7

8、线材/CORD..... 8

9、铭牌附图/LABEL.....9

10、包装说明/PACKING.....10

11、测试报告/ELECTRICAL TEST REPORT.....11



型号/Our model: HX08-1203 (301)

客户/Customer: 赵毅 (恩企)

日期/Date: 2012-10-4

样品编号/SAMPLE No: CP002-136

1、描述/ DESCRIPTION:

本规格书适应于 HX08-1203 (301) 36W 型号的开关电源。

This specification is adapted to the HX08-1203(301) 36W models of switching power supply.

2、输入特性/INPUT CHARACTERISTICS:

2.1 额定电压/Rated Input Voltage: 100~240Vac

2.2 额定输入频率/ Rated Input Frequency: 50/60Hz.

2.3 输入电流/Input Current:

当输入交流电压为额定值的下限电压负载满载时,最大输入交流电流 0.8A.

0.8Amps max At any input voltage and rated, DC output rated load.

2.4 浪涌电流/Inrush Current:

当输出为额定负载,环境温度为 25°C,输入 240Vac 冷态起机时的最大浪涌电流小于 50A.

50 Amps Max. Cold start at 240Vac input, with rated load and 25°C ambient.

2.5 AC 漏电流/Ac Leakage Current:

当输入电压 240Vac 时,最大漏电流为 0.25mA.

0.25mA Max. At 240Vac input.

3、输出特性/OUTPUT CHARACTERISTICS:

3.1 输出功率/Power output

电压 Voltage	最小负载 Min. Load	额定负载 Rated. Load	峰值功率 Peak	输出功率 Output power
12VDC	0A	3A	43W	36W



型号/Our model: HX08-1203 (301)

客户/Customer: 赵毅 (恩企)

日期/Date: 2012-10-4

样品编号/SAMPLE No: CP002-136

3.2 负载特性,调整率/Combined Load/Line Regulation

电压 Voltage	最小负载 Min. Load	额定负载 Rated. Load	线性调整 Line Regulation	负载调整 Load Regulation
12VDC	0A	3A	±3%	±5%

3.3 纹波和噪音 Ripple and Noise:

测试条件:在额定电压及额定负载条件下,使用示波器带宽为 20MHz 连接到充电器的输出端,同时输出端并联一个 47uF 的电解电容和一个 0.1uF 的瓷片电容.

Under nominal voltage and nominal load,the ripple and noise are as follows when measure with Max.Bandwidth of 20MHz and Parallel 47uF/0.1uF,crossed connected at testing point.

电压 Voltage	最大纹波/最大噪音 Ripple and Noise(Max.)
12VDC	120mV p-p

3.4 启动延迟时间/Turn on delay time:

当输入 115Vac 和输出最大负载时,最大启动时间为 2S.

2Second Max.at 115Vac input and output Max.load.

3.5 上升时间/Rise time:

当输入 115Vac 和输出最大负载时最大时间为 40 mS.

40 mS Max.at 115Vac input and output Max load.

3.6 效率/Efficiency:

当 115/230Vac 输入电压时,半载和满载计算平均效率,最小72%。

72%Min, At 115/230Vac input voltage,half load and full load calculation average efficiency.

3.7 过冲/Overshoot:

在电源开启或关闭的时候,最大 5%.

5% Max.When power supply at turn or turn off.

4、保护功能/PROTECTION FUNCTION:

4.1 短路电路保护/Short circuit protection:

该电源供给器在短路解除时能正常工作恢复.

The power supply will be auto recovered when short circuit faults remove.

4.2 过流保护/Over current Protection:

过流故障排除后,电源将自动恢复正常工作.

The power supply will be auto recovered when over current faults remove.



型号/Our model: HX08-1203 (301)

客户/Customer: 赵毅 (恩企)

日期/Date: 2012-10-4

样品编号/SAMPLE No: CP002-136

5、环境要求/ENVIRONMENTAL REQUIREMENT:

5.1 工作温度/Operating Temperature:

0°C-40°C, 满载, 正常工作.

0°C to 40°C, Full load, Normal operation.

5.2 储藏温度/Storage Temperature: -20°C to 80°C

带外壳/With package

5.3 工作湿度/Relative Humidity:

5% (0°C)~90% (40°C), 72 小时, 满载, 正常工作.

5% (0°C)~90% (40°C) RH, 72Hrs, Full load, Normal operating.

5.4 振动/Vibration:

1. 测试标准: 国际电工电子委员会

Operating: IEC 721-3-3 3M3

5~9Hz, A=1.5mm

加速度 (9~200Hz, Acceleration 5m/S²)

2. 运输/Transportation:

IEC 721-3-2 2M2

5-9Hz, A=3.5mm

9~200Hz, 加速度 Acceleration=5m/S²

200~500Hz, 加速度 Acceleration=15m/S²

3. 轴向振动/Axes, 10 cycles per axis.

在测试过程中不能出现永久性的损坏.

No permanent damage may occur during testing.

在电源开启和关闭后, 样机能够恢复到最初条件.

The SAMPLE has to restore to its original situation after power off/on..

5.5 跌落试验/Dropping Packed:

750 mm ± 10 mm for desk-top equipment as described above;

桌上型仪器作测试时为 750mm±10mm.



型号/Our model: HX08-1203 (301)

客户/Customer: 赵毅 (恩企)

日期/Date: 2012-10-4

样品编号/SAMPLE No: CP002-136

6、安全及 EMI 要求/SAFETY AND EMI REQUIREMENT:

6.1 安全:按 IEC60950 标准设计.

Safety: Design by IEC60950 standard.

6.2 高压/DIELECTRIC STRENGTH Hi-Pot:

初级对次级/Primary to secondary:1750Vac/5mA/60S for type test.

6.3 缘抗阻/Insulation resistance:

初级对绝次级/Primary to secondary:10M Ω min at 500V DC.

6.4 EMI 标准/EMI STANDARD

Designed according to the following standards/按以下标准设计:

<1>.Fcc class B rules

<2>.EN55022 class B rules

<3>.GB9254-1998,GB17625.1-2003

※注: 在保证产品性能符合此承认书的条件下, 本公司有权对产品电路和元器件进行更改优化。

Conditions to ensure product performance in line with this acknowledgment, the Company reserves the right to make changes to optimize product circuits and components.



型号/Our model: HX08-1203 (301)
客户/Customer: 赵毅 (恩企)
日期/Date: 2012-10-4
样品编号/SAMPLE No: CP002-136

7、 结构参数/MECHANICAL REQUIREMENT:

7.1 外壳/Enclosure:

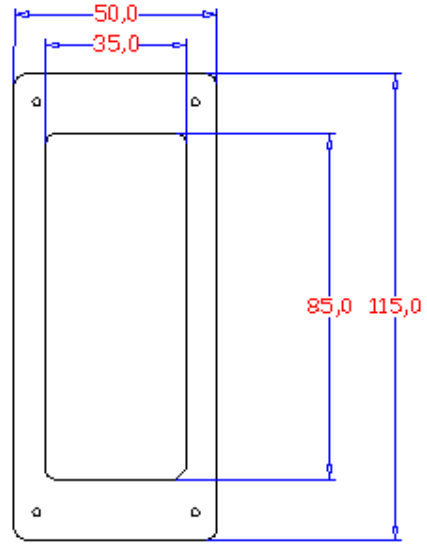
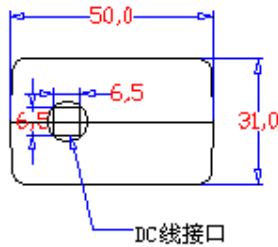
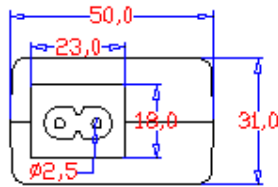
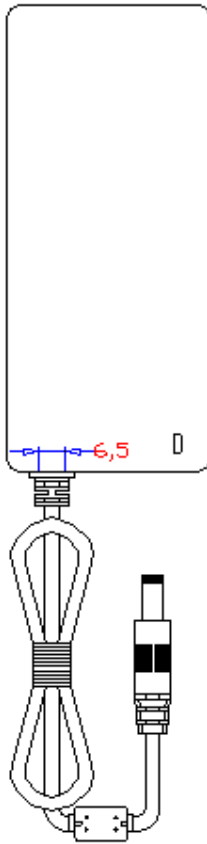
外壳尺寸: mm;

The power supply size: mm

7.2 输入线/Input Connector:

2Pin UL / Two pin input plug of UL

正面



反面

注:

- 1.产品外壳为黑色, V/AC 为直插八字口型;
- 2.公差为±0.1mm;
- 3.单位: mm.



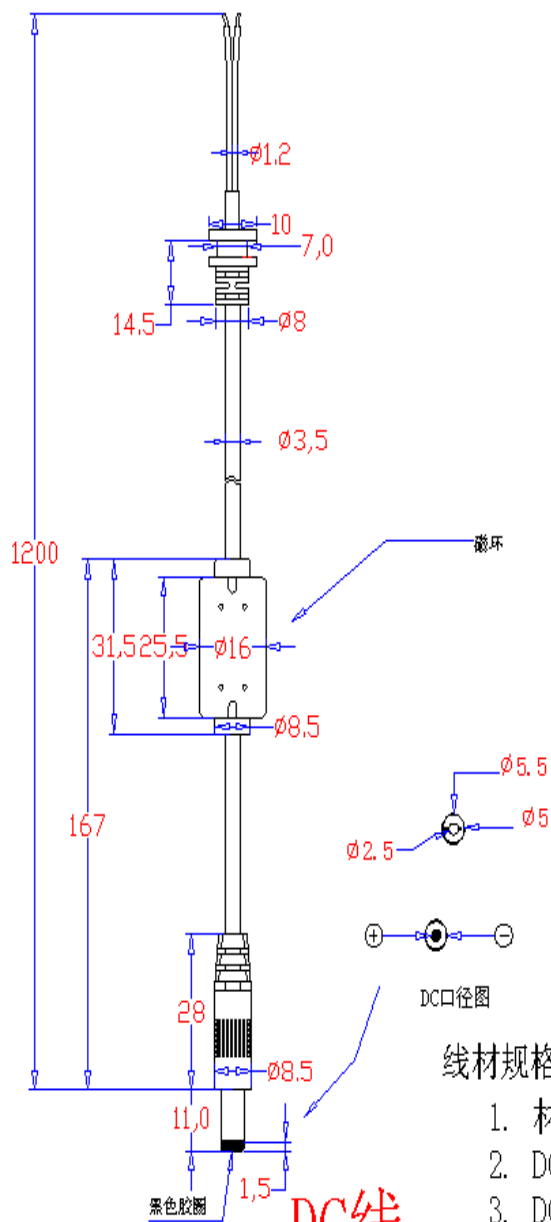
型号/Our model: HX08-1203 (301)

客户/Customer: 赵毅 (恩企)

日期/Date: 2012-10-4

样品编号/SAMPLE No: CP002-136

8、线材/CORD:



线材规格:

1. 材质为黑色圆形线材;
2. DC线长 1200 ± 5 mm;
3. DC头规格: ø2.5音叉, 分为内: “正”外“负”;
4. 未标注公差 ± 0.1 mm;
5. 单位: mm.



型号/Ourmodel:HX08-1203 (301)
客户/Customer:赵毅 (恩企)
日期/Date:2012-10-4
样品编号/SAMPLE No: CP002-136

9、铭牌/LABEL:



铭板说明:

1. 材质: 黑底白字;
2. 尺寸: L84.5*W34.5*H0.2mm;
3. 尺寸公差: 长宽±1mm, 厚度+0.2mm;
4. 环保。



XINWEIDA | 鑫威达®

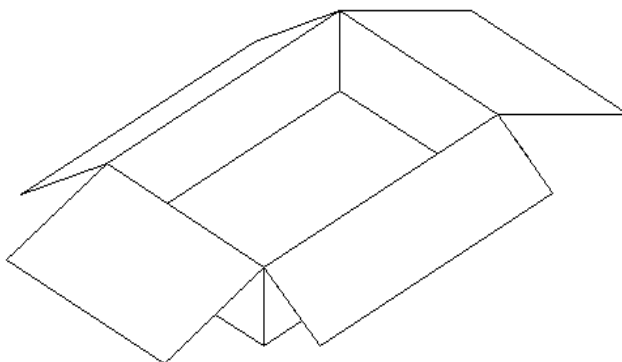
型号/Our model: HX08-1203 (301)

客户/Customer: 赵毅 (恩企)

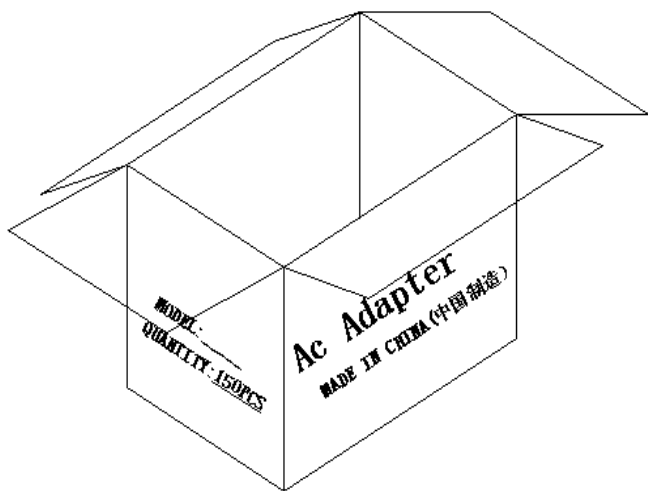
日期/Date: 2012-10-4

样品编号/SAMPLE No: CP002-136

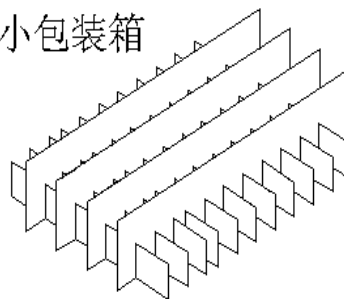
10、包装说明/PACKING:



小包装箱



外盒



小包装箱
分隔卡

注:

1. 每个产品装入分隔卡内;
2. 当此产品批量生产时, 每小箱放置产品75台, 用分隔卡分开; 外箱放置产品150台, 分别放置两个小包装箱.

3. 尺寸:

小包装箱: 615*415*160mm;

外盒: 615*435*350mm.



XINWEIDA | 鑫威达®

型号/Model: HX08-1203 (301)

客户/Customer: 赵毅 (恩企)

日期/Date: 2012-10-4

样品编号/SAMPLE No: CP002-136

11、测试报告/ELECTRICAL TEST REPORT:

No 序号	Test item 测试项目	Test condition 测试条件	Standard spec 标准规格	Test data 测试数据					Unit 单位	Judge 判定
				1	2	3	4	5		
1	Output Voltage 输出电压	Vin150Vac 60Hz Io=0 输入 150Vac 空载	±5%	12.43					V	Pass
2	Output Voltage 输出电压	Vin150Vac 60Hz Io=Rated Current 输入 150Vac 60Hz 额 定电流	±5%	11.75					V	Pass
3	Average Efficiency 平均效率	Vin 150Vac 60Hz 输入 150Vac 60Hz	72%	82.5					%	Pass
4	Ripple&Noise mVp-p 纹波&杂讯	Vin150Vac 60Hz Full load 输入 150Vac 60Hz 满 载	120mVp-p	70					mVp-p	Pass
5	Line Regulation 线性调整率	Vin=150V~240V Io=Rated Current 额定电流	±3%	0.0%						Pass
6	Short 短路	Vin150Vac 60Hz 输入 150Vac 空载	No odor smoke fire plastic deformation and excessive heat happen. 无冒烟,起火,外壳变 形及过热现象	OK						Pass
7	Output Voltage 输出电压	Vin240Vac 50Hz Io=0 输入 240Vac 空载	±5%	12.43					V	Pass
8	Output Voltage 输出电压	Vin240Vac 50Hz Io=Rated Current 输入 240Vac 60Hz 额 定电流	±5%	11.75					V	Pass
9	Average Efficiency 平均效率	Vin240Vac 50Hz 输入 240Vac 50Hz	72%	84					%	Pass
10	Ripple & Noise mVp-p 纹波&杂讯	Vin240Vac 50Hz Full load 输入 240Vac 50Hz 额 定电流	120mVp-p	66					mVp-p	Pass
11	Line Regulation 线性调整率	Vin=100V~240V Io=Rated Current 输入 100V~240V	±3%	0.0%						Pass
12	Short 短路	Vin240Vac 50Hz 输入 240Vac 50Hz	No odor smoke fire plastic deformation and excessive heat happen. 无冒烟,起火,外壳变 形及过热现象	OK						Pass
13	Hi-ot test 高压测试	高压/DIELECTRIC STRENGTH Hi-Pot:初级对 次级/Primary to secondary:1750Vdc/5mA/60S for type test		OK						Pass
14	Burn in 老化	Input:220Vac/50Hz Full Load 4hrs 输入 220Vac/50Hz 满载 4 小时		OK						Pass
15	Drop test 跌落	Heigh:1m Three*faces(onceon each plane) 高 1 米,3 个面,每面 1 次.		OK						Pass
REMARK 备注										